

4

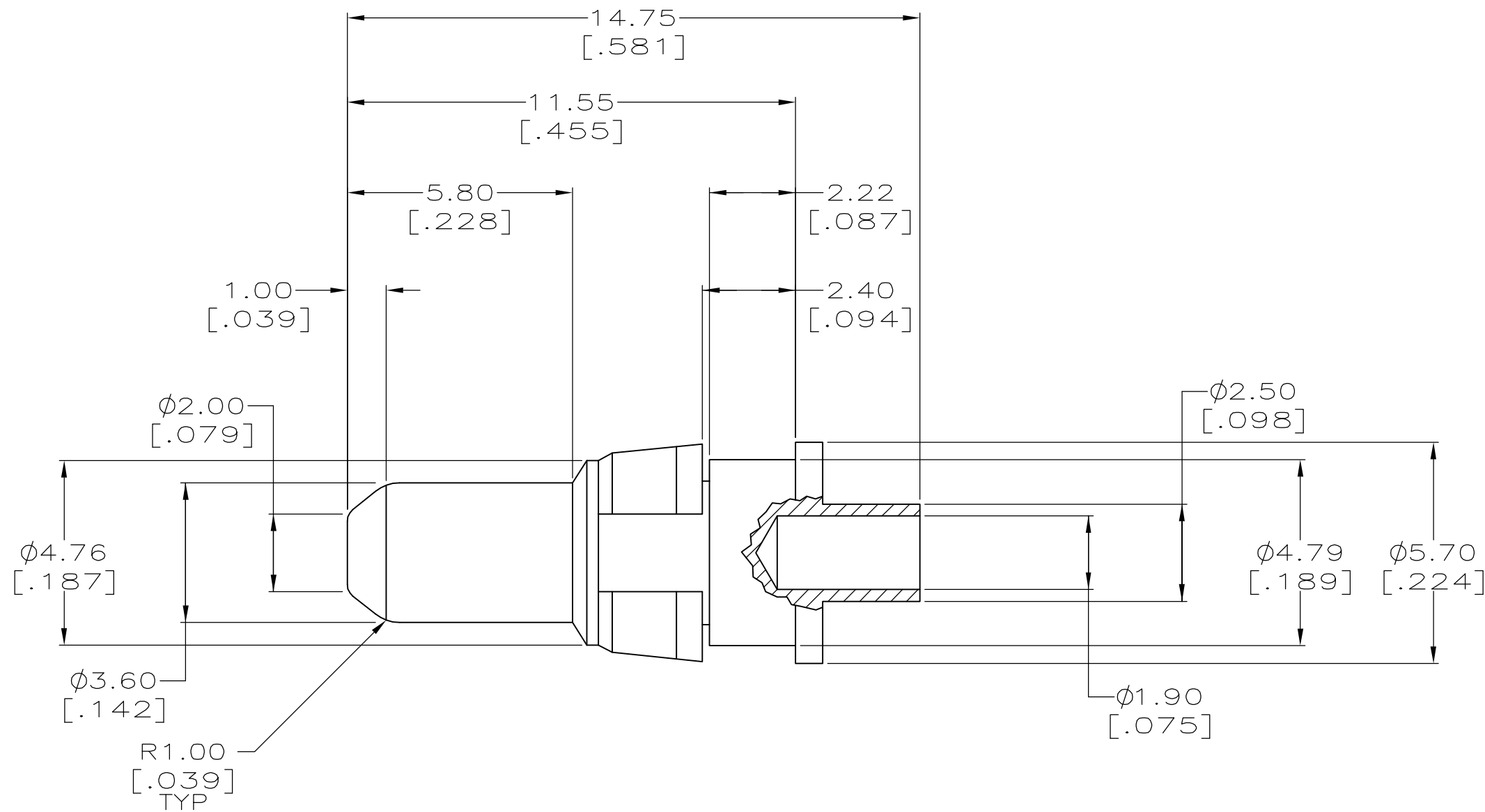
3

2

1

THIS DRAWING IS UNPUBLISHED. RELEASED FOR PUBLICATION -,-
 © COPYRIGHT - BY TYCO ELECTRONICS CORPORATION. ALL RIGHTS RESERVED.

LOC	DIST	REVISIONS					
AD	00	P	LTR	DESCRIPTION	DATE	DWN	APVD
		B		REV PER EC 0S12-0302-05	05DEC05	BC	GS



- ① CONTACT: BRASS.
RETAINING RING: BERYLLIUM COPPER.
- ② CONTACT: 0.76 μm [.000030] MIN GOLD
OVER 1.27 μm [.000050] MIN NICKEL.

148533-1
 PART NUMBER

THIS DRAWING IS A CONTROLLED DOCUMENT.		DWN	B.CARBO	03 JUN 99		Tyco Electronics Corporation Harrisburg, PA 17105-3608		
DIMENSIONS: mm [INCHES]		CHK	C.RICHARD	03 JUN 99		NAME	POWER CONTACT, MALE, SHORT CUP, (10 AMP)	
		APVD	C.RICHARD	03 JUN 99			PRODUCT SPEC	-
TOLERANCES UNLESS OTHERWISE SPECIFIED:		APPLICATION SPEC			SIZE	CAGE CODE	DRAWING NO	RESTRICTED TO
0 PLC ± - 1 PLC ± - 2 PLC ± 0.13 [.005] 3 PLC ± - 4 PLC ± - ANGLES ± -		WEIGHT			A3	00779	C=148533	-
MATERIAL	FINISH	CUSTOMER DRAWING			SCALE	8:1	SHEET	1 of 1
①	②						REV	B